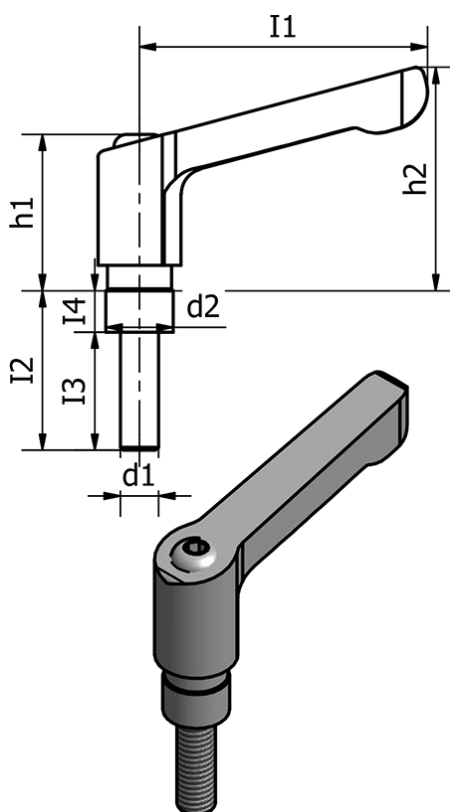


Article number: 20511M414

Description: E+G Clamping kit  
GN 511-M4-14

## Measures



$d1 = 4$

$d2 = 7.5$

$h1 = 24.5$

$h2 = 30$

$I1 = 30$

$I2 = 14$

$I3 = 9.5$

$I4 = 4.5$

Weight (g) = 37